



# Azure™ Tapered

Bone Level Implants



*Blue Skies Ahead*

**azure™**  
A ZimVie Brand



**Blue Skies Ahead...**

## **Introducing the Azure Tapered Bone Level Implant System**

**Blue skies stretch as far as the horizon when you expand your practice options with the Azure Tapered Bone Level (TBL) Implant.**

**Offering Customers:**

- **A popular, time-tested implant design** – now from ZimVie
- **Backed by quality and service you know and can trust** – designed and milled with the highest engineering and manufacturing standards
- **Primary stability for immediacy** – faster smiles and faster patient turnover – a win-win
- **Comprehensive restorative solutions with a precise connection fit** – flexibility to restore your patients your way with the proven Conical Cross Connection
- **Intuitive, easy-to-follow surgical kit** – confidence, productivity, and stability for all bone types
- **A cost-efficient price point** – grow your practice and tailor treatment plans to specific patient financial demographics

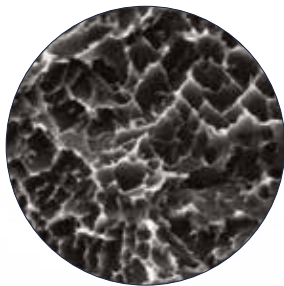
# Azure TBL Implants

Azure TBL Implants resemble the popular Straumann Bone Level Tapered Implants.

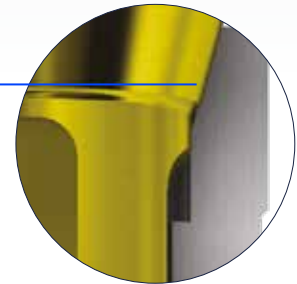
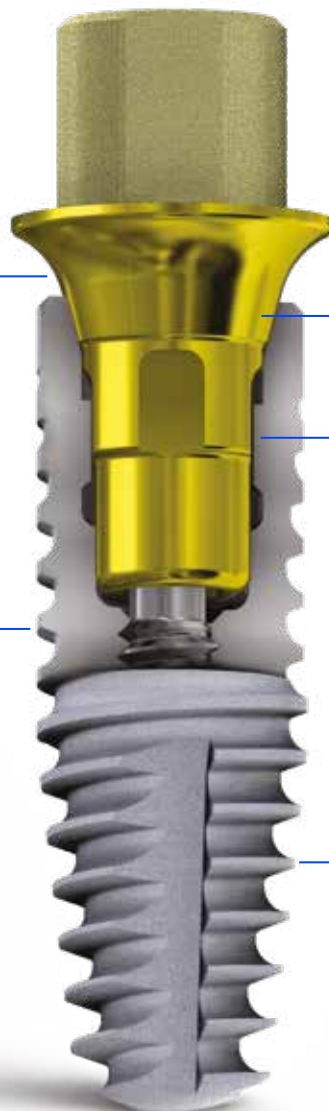
- Designed with similar surgical instrumentation
- Achieves similar placement torque values when placed with the Azure Tapered Bone Level Surgical Kit<sup>2</sup>
- Compatible with both Azure SBL-Conical Abutments and all Azure Conical Cross Connection components

## Outstanding Aesthetics and Crestal Bone Preservation

from the platform-switching Conical Cross Connection



**Enhanced Secondary Stability** from the SLA (sandblasted and dual acid-etched) surface (Sa ≥ 1.1 μm)



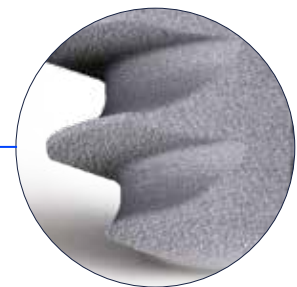
## Seal Out Microorganisms

with the 15° Conical Interface.<sup>1</sup> Grooves improve stability, reducing the chance of screw loosening



## Secure, Precise Abutment Seating

with the Conical Cross Connection's four seating grooves



## High Primary Stability for Immediacy

in all bone types and anatomies from tapered design and deep apical threads



Azure Tapered Bone Level Surgical Kit



**azure**<sup>™</sup>  
A ZimVie Brand

# Azure TBL Surgical Kit

Easy-to-follow visual indication facilitates safe and accurate procedures

- Intuitive layout with color coding by implant diameter
- Surgical protocols deliver primary stability in all bone types
- Allows for customization and additional instrumentation and drill lengths

## Efficient Implant Delivery and Tooling

- Azure TBL is picked up with the Implant Driver connected directly to the implant connection
- No fixture mount to remove means simplicity, visual control, and better access in limited intra-oral spaces
- Dual-use Torque Indicating Ratchet is used for both for implant placement and abutment seating when using the appropriate Implant Driver or Screwdriver Tip



Implant Driver  
(NC/RC)



Torque Indicating  
Ratchet

# The Sky is Your Limit

Expansive Prosthetic and  
Digital Solutions

Designed for total flexibility, Azure offers a wide range of stock and digital restorative components to craft optimal aesthetic results for virtually every patient.



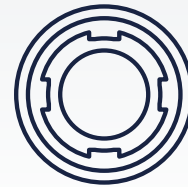
Ti-Base-A



Universal Multi-Unit  
Abutments



Ti-Base-T



## Compatibility

- Compatible with Azure SBL-Conical Abutments
- Available in both narrow and regular (NC and RC) platforms

## Prosthetic Options

- Ti-Base-T (Titanium Ti-Bases)
- Ti-Base-A (Angled Screw Channel Ti-Bases)
- Ti-Base-C (CEREC® Compatible Ti-Bases)
- Pre-Milled Blanks
- Universal Multi-Unit Abutments
- Blank Holders
- Digital Scan Bodies
- Digital and Stone Analogs
- Temporary Cylinders
- Castable Cylinders
- Cobalt Chrome Castable Cylinders
- Straight and Angled Cement Retained Abutments
- OverdenSURE® Abutments
- System-compatible screws
- Driver Tips, adapters, and tooling



OverdenSURE®  
Abutment

# Imagine it, Achieve it

Digital Efficiency and Flexibility



Scan



Plan



Pilot Guides

iTero®

RealGUIDE™  
UNIVERSAL OPEN SYSTEM

implant  
concierge™



Our suite of digitally integrated workflows surrounds you with the serenity of having expansive options for your patients, as vast as the azure sky.

- RealGUIDE™ Software suite is recommended for complete top-down design of an aesthetically restored Azure TBL Implant
- You have the option of designing and planning yourself, outsourcing to Implant Concierge™, a trusted partner, or using your favorite lab
- Compatible with both Azure SBL-Conical Abutments and Azure Conical Cross Connection components



**Place**



**Restore**



**Smile**

## Ordering Information

Azure Tapered Bone Level Implants*	Ø3.3 mm (P)	Ø4.1 mm (P)	Ø4.8 mm (P)
	NC	RC	RC
<i>Implant Lengths</i>			
8 mmL	AITBL-IMP3308	AITBL-IMP4108	AITBL-IMP4808
10 mmL	AITBL-IMP3310	AITBL-IMP4110	AITBL-IMP4810
12 mmL	AITBL-IMP3312	AITBL-IMP4112	AITBL-IMP4812
14 mmL	AITBL-IMP3314	AITBL-IMP4114	AITBL-IMP4814
16 mmL	AITBL-IMP3316	AITBL-IMP4116	AITBL-IMP4816



\* Cover Screw and Healing Abutments sold separately

Cover Screws	Ø3.3 mm (P)	Ø4.1 - 4.8mm (P)
	NC	RC
	ASTBL-CSNC33NS	ASTBL-CSRC4NS



Healing Abutments	Ø3.3 mm (P)	Ø4.1 - 4.8mm (P)
	NC	RC
<i>Cuff Height</i>		
3 mm	ARSBL-HA333NS	ARSBL-HA413NS
4 mm	ARSBL-HA334NS	ARSBL-HA414NS
5 mm	ARSBL-HA335NS	ARSBL-HA415NS



Part Number	Description	
ASTBL-SURKIT**	Azure Tapered Bone Level Implant Surgical Kit, Complete	
ASTBL-SURTRAY	Azure Tapered Bone Level Implant Surgical Tray, Empty	
<p>** Includes ASTBL-SURTRAY, drills, and instrumentation to place all Azure Tapered Bone Level Implants, in all bone types. Additional drill and instrument lengths are also available. Part Number ASTBL-SURKIT is for ordering purposes only. Kit parts are invoiced separately.</p>		

Please reference the Azure Tapered Bone Level Catalog (ZVINST0201) for complete ordering information.



**azure**<sup>™</sup> | A ZimVie Brand

For more information, visit [azuredental.com](https://azuredental.com)

References:

<sup>1</sup> Zipprich H, Miatke S, Hmaidouch R, Lauer HC. A new experimental design for bacterial microleakage investigation at the implant-abutment interface: an in vitro study. *Int J Oral Maxillofac Implants* 2016;31(0):37-44.

<sup>2</sup> Data on File.

Unless otherwise indicated, as referenced herein, all trademarks and intellectual property rights are the property of ZimVie Inc. or an affiliate; and all products are manufactured by one or more of the dental subsidiaries of ZimVie Inc. (Biomet 3i, LLC, Zimmer Dental, Inc., etc.) and marketed and distributed by ZimVie Dental and its authorized marketing partners. Azure Tapered Bone Level Implants and Restorative Components are manufactured by Terrats Medical LC. ZimVie is an authorized distributor of iTero Products which are manufactured by Align Technology, Inc. All content herein is protected by copyright, trademarks, and other intellectual property rights, as applicable, owned by or licensed to 3Diemme SRL or its affiliates, and Implant Concierge LLC or its affiliates unless otherwise indicated, and must not be redistributed, duplicated, republished or reprinted, in whole or in part, without express written consent the owner. Straumann Bone Level Tapered Implant is a registered trademark of Straumann Holding AG. For additional product information, please refer to the individual product labeling or instructions for use. Product clearance and availability may be limited to certain countries/regions. This material is intended for clinicians only and does not comprise medical advice or recommendations. Distribution to any other recipient is prohibited. This material may not be copied or reprinted without the express written consent of ZimVie. ZV2079 REV A 04/24 ©2024 ZimVie Inc. All rights reserved.

